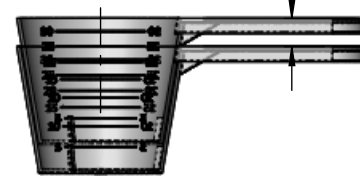
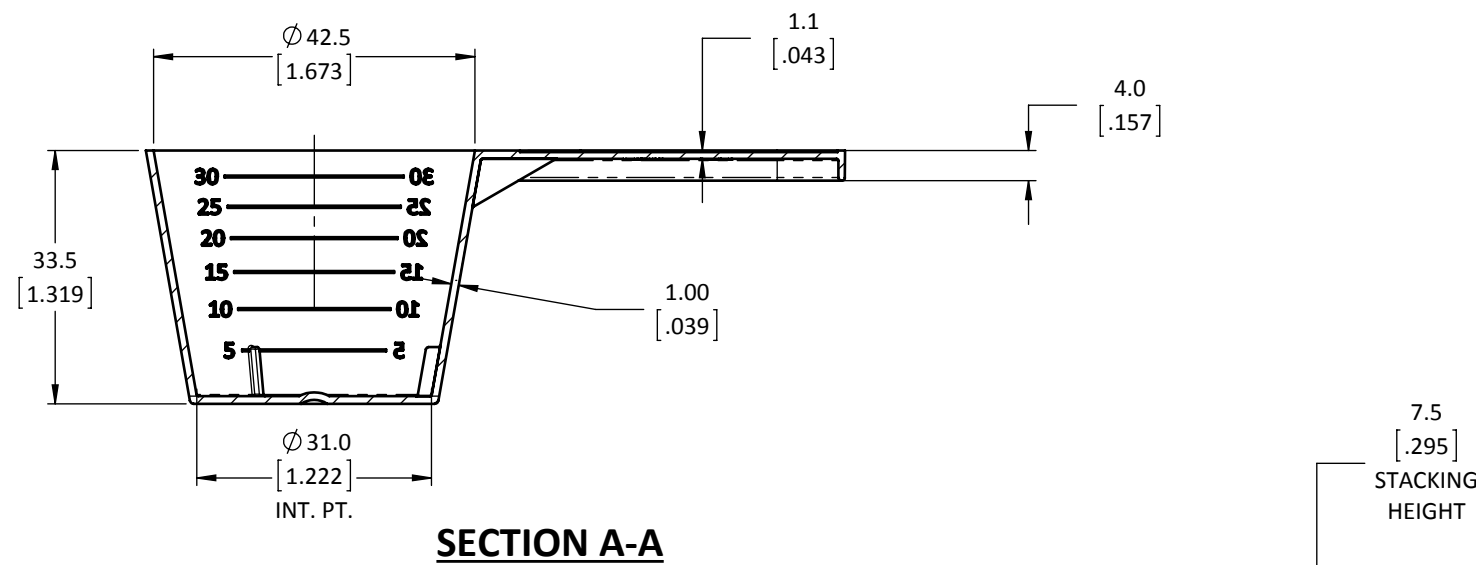


ISO VIEW



**STACKING VIEW
SCALE 1 : 2**

LAYER PACK ESTIMATES:


3528 scoop/box

Box weight = 18.3 kgs approx.

Box Size (LxWxH): 595x395x395

PRELIMINARY

DO NOT USE FOR MANUFACTURING

	SCALE 1:1	ESTIMATED WEIGHT: 5.2 G (APPROX.)		
	MATERIAL POLYPROPYLENE			
	DATE 12-DEC-2014	TITLE 30ml SCOOP		
<small>UNLESS SPECIFIED DIMENSIONS ARE IN MILLIMETERS AND [BRACKETED] ARE IN INCHES TOLERANCES: 2 DECIMALS ±0.25 3 DECIMALS ±.010 1 DECIMAL ±0.5 2 DECIMALS ±.02 ANGULAR ±2°</small>		Novio Reference: DR01119_1	PART# 30ml Scoop	REV. 0