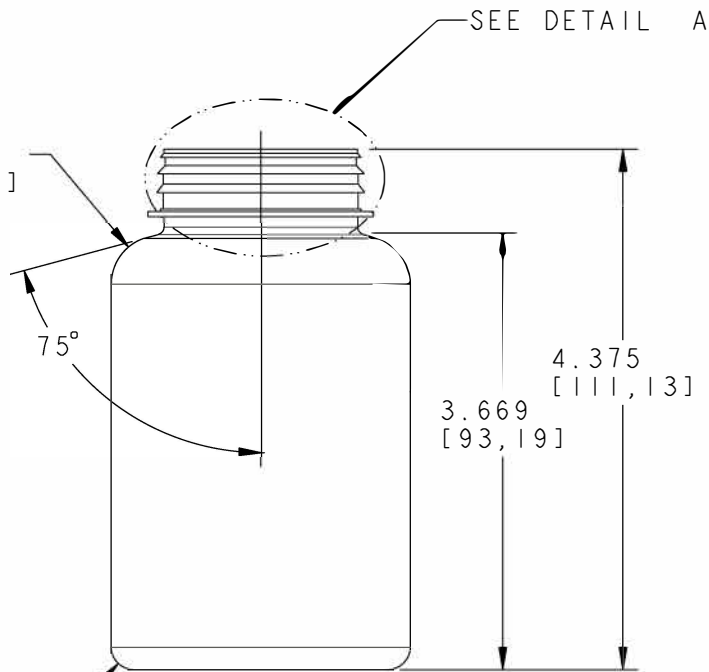
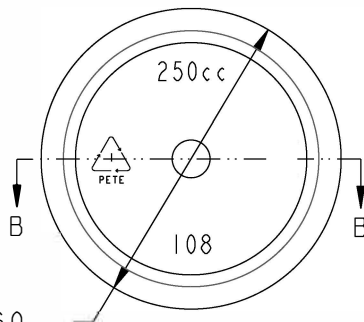


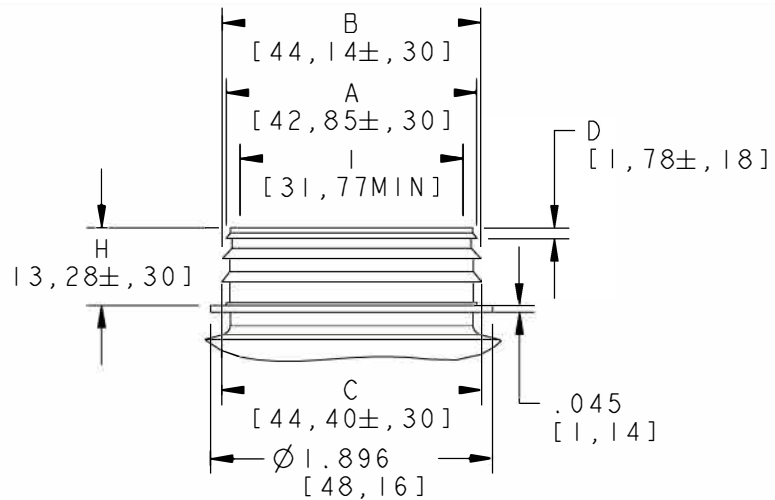
R.406  
[10,31]



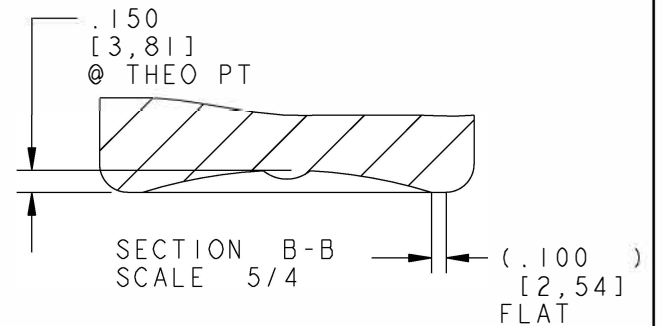
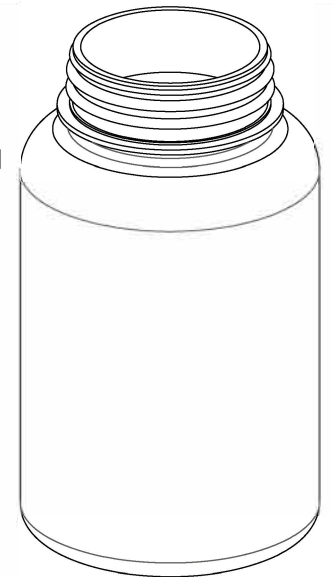
R.188  
[4,78]



$\varnothing 2.516 \pm .060$   
[63,91 ± 1,52]



DETAIL A  
SCALE 5/4



Neck Finish: 45MM J-CAP HI					Novio reference: D00195_1					
All measurements are in inches, [Metric]	Min Thk	Color	Weight	Std. Pack	<table border="1"> <thead> <tr> <th colspan="2">Revisions</th> </tr> </thead> <tbody> <tr> <td>M</td> <td>Add Metric 5/4/10, sct Grm wt was 34.5, 2-9-12, sct</td> </tr> </tbody> </table>		Revisions		M	Add Metric 5/4/10, sct Grm wt was 34.5, 2-9-12, sct
	Revisions									
	M	Add Metric 5/4/10, sct Grm wt was 34.5, 2-9-12, sct								
.012 [30]	All Colors	28.5 Gms ± 1	270, Stack							
.012 [30]	All Colors Heavy Gram 400 p	37.5 Gms ± 1	270, Stack							
	.012 [30]	All Colors Heavy Gram	34.0 Gms ± 1	270, Stack						
Neck Dimensions:					Scale: 1/1   Drawn By: SCT   Date: 07-25-00 DwgRev:					
A = 1.687 ± .012	I = 1.251 MIN.				<b>250 CC, STRAIGHT SIDED, PET, 45 MM J-CAP</b> 250S45JPET <b>M</b>					
B = 1.738 ± .012	H = 0.523 ± .012				Approved By: SJ   Drawing NO: 250PS1XX45JCAP					
C = 1.748 ± .012										
D = 0.070 ± .007										
Overflow Capacity: 293 ml ± 9				Material: PET						