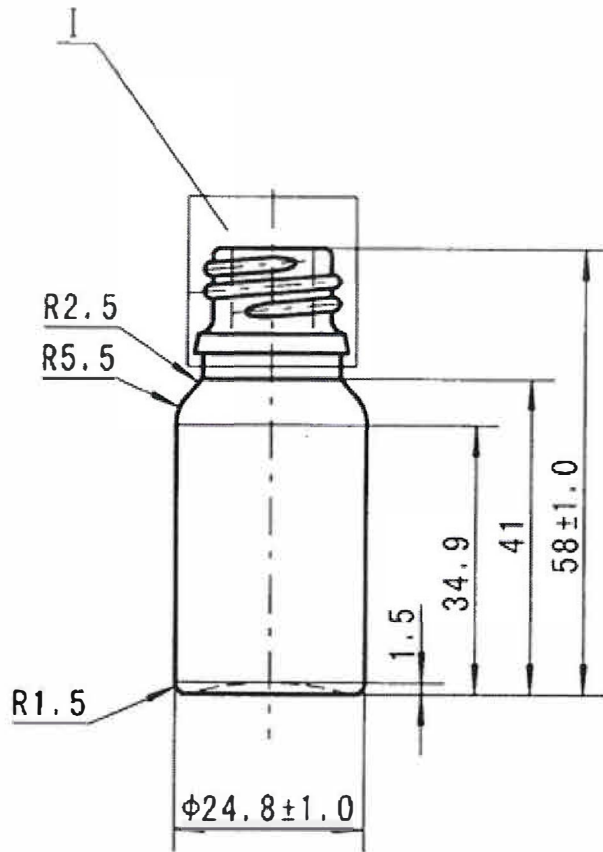
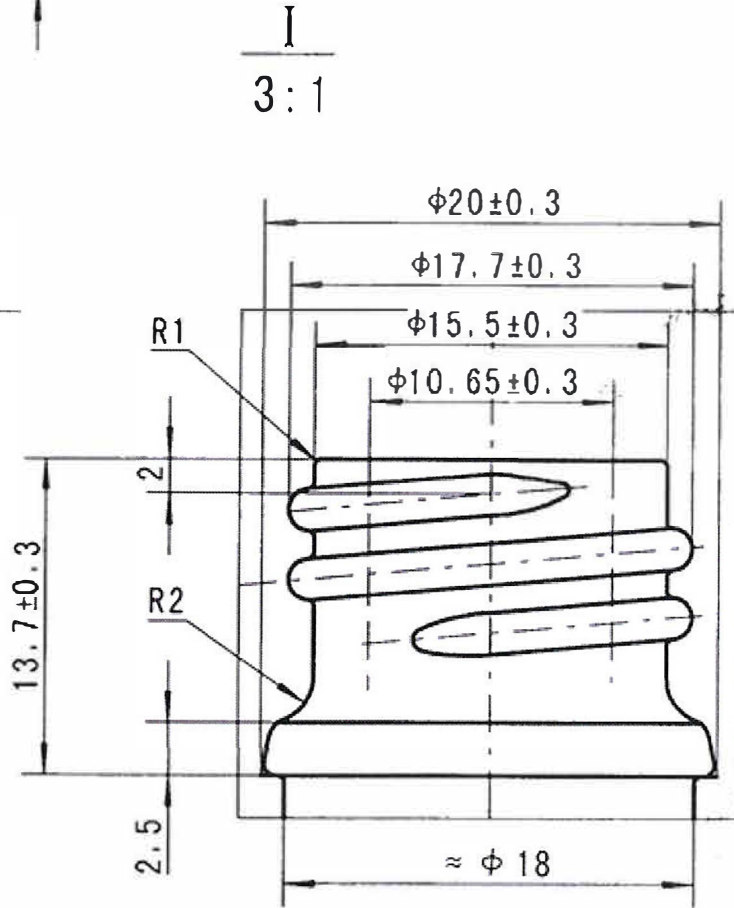
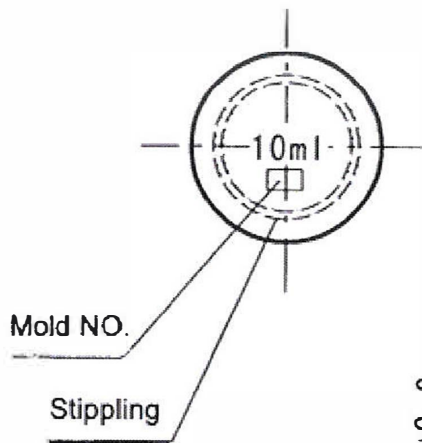



# Specification sheet



Screw-pitch: 3  
 Screw-breadth: 1.8  
 Screw-thread: 2.2



Filling Cap.:	10ml	DES'D by		REF. NO.:	490101 #
		Date:		DRG. NO.:	10ZOQ
Brimful Cap.:	12.5 $\pm$ 2ml	CHK'D by		Material	Essence oil bottle, Type III
		Date:			Made of Soda-lime Silica Glass
Weight:	Around 27.5g	APP'D by			
		Novio Reference:			
			DR001421_1		