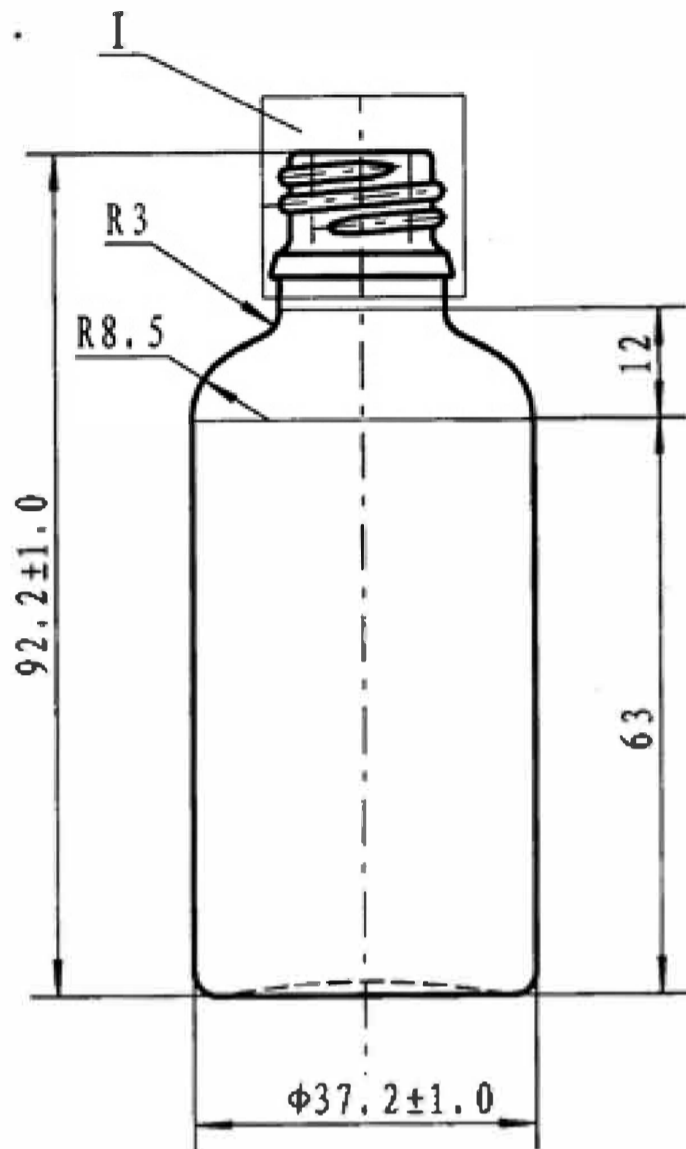
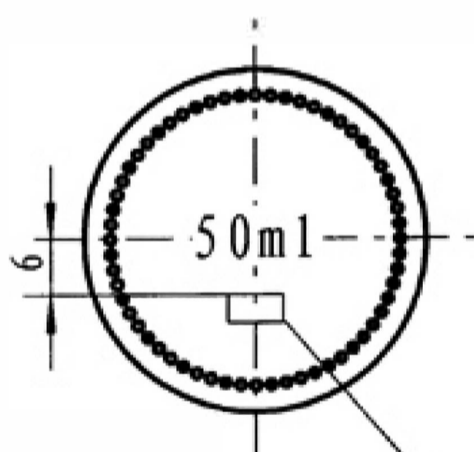


# Specification sheet



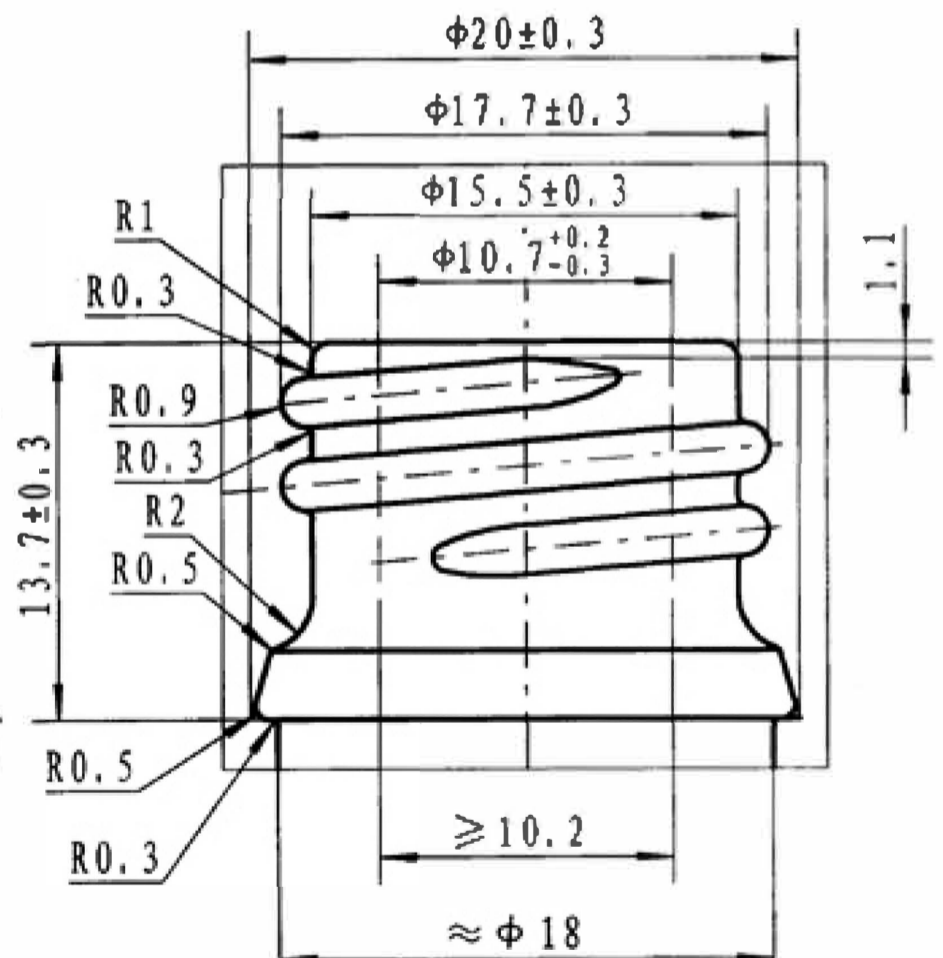
瓶壁厚度  $\geq 1.0$   
 瓶底厚度  $\geq 2.0$

Screw-pitch: 3  
 Screw-breadth: 1.8  
 Screw-thread: 2.2



Mold NO.

$H3.0, W2.5, D0.5, \text{Space } 0.8$



Filling Cap.:	50ml	DES'D by		REF. NO.:	490501 #
		Date:		DRG. NO.:	50ZOQ
■Rimful Cap.:	57±4ml	CHK'D by		Material	Essence oil bottle, Type III
		Date:			Made of Soda-lime Silica Glass
Weight:	Around 55g	APP'D by	Novio Reference: DR001426_1		