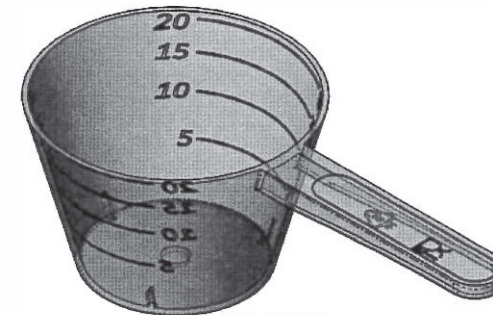
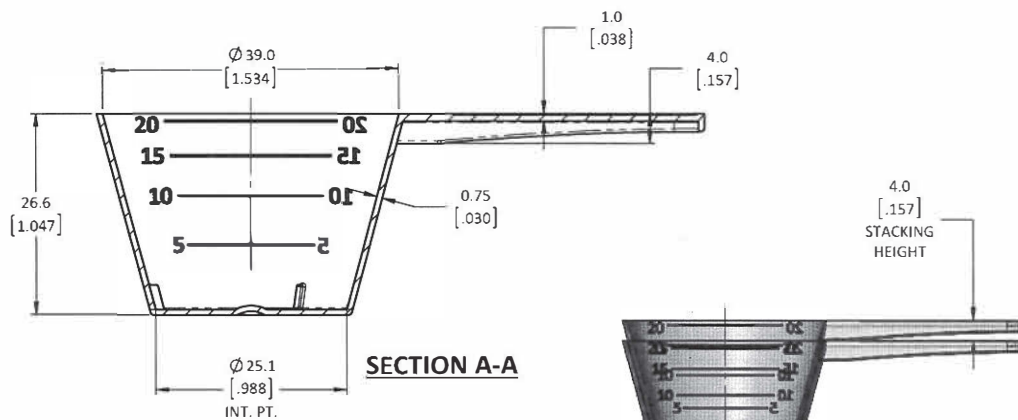


TOP VIEW



ISO VIEW



SECTION A-A

**STACKING VIEW
SCALE 1 : 1**

LAYER PACK ESTIMATES:
 9,765 scoop/box
 Box weight = 25.4 kgs approx.
 Box Size (LxWxH): 595x395x395

PRELIMINARY

DO NOT USE FOR MANUFACTURING

DRAWN	SCALE 3:2	ESTIMATED WEIGHT 2.6 G (APPROX.)	
CHD.	MATERIAL POLYPROPYLENE		
APRD.	DATE 02-DEC-2014	TITLE 20ml SCOOP	
UNLESS SPECIFIED DIMENSIONS ARE IN MILLIMETERS AND DECIMALS ARE IN MILLIMETERS TOLERANCES		Novio Reference: DR01116_1	PART# 20ml Scoop
3 DECIMALS ±0.25 2 DECIMALS ±0.30 1 DECIMAL ±0.50			REV. 2