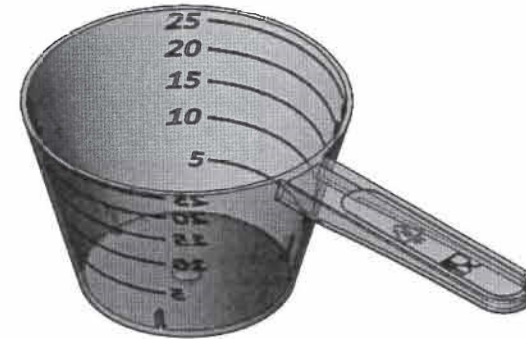
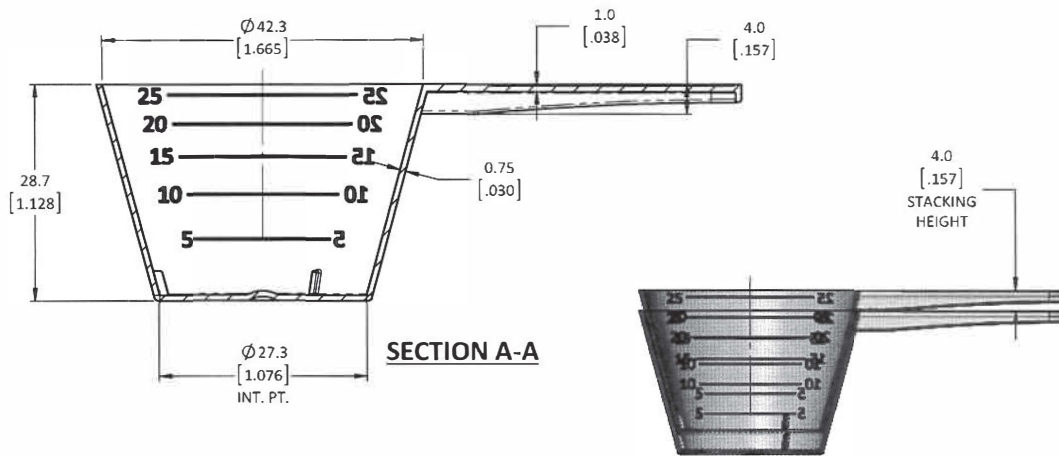


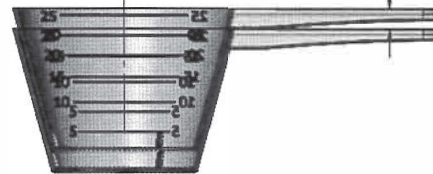
TOP VIEW



ISO VIEW



SECTION A-A



**STACKING VIEW
SCALE 1 : 1**

LAYER PACK ESTIMATES:

8,372 scoop/box
 Box weight = 25.2 kgs approx.
 Box Size (LxWxH): 595x395x395

PRELIMINARY

DO NOT USE FOR MANUFACTURING

SCALE	3:2	ESTIMATE WEIGHT	3.0 G (APPROX.)		
MATERIAL	POLYPROPYLENE				
DATE	02-DEC-2014	TITLE		25ml SCOOP	
<small>UNLESS SPECIFIED DIMENSIONS ARE IN MILLIMETERS AND DIMENSIONS ARE IN INCHES TOLERANCES</small> <small>DECIMALS ±0.25 3 DECIMALS ±0.01</small> <small>DECIMAL ±0.5 2 DECIMALS ±0.01</small> <small>ANGULAR ±2°</small>				PART#	REV.
Novio Reference: DR01117_1				25ml Scoop	2