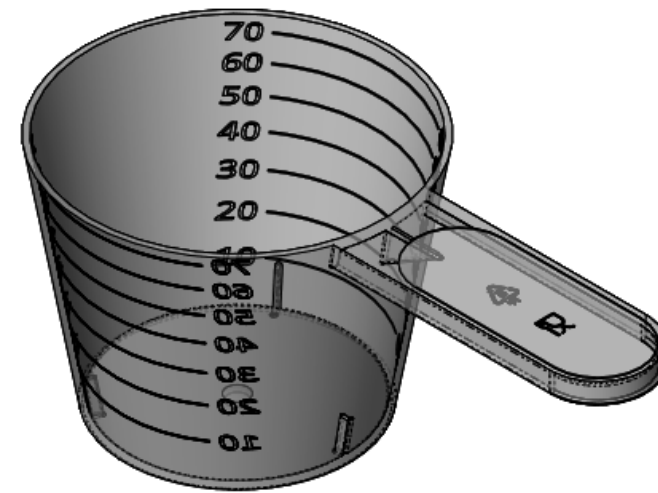
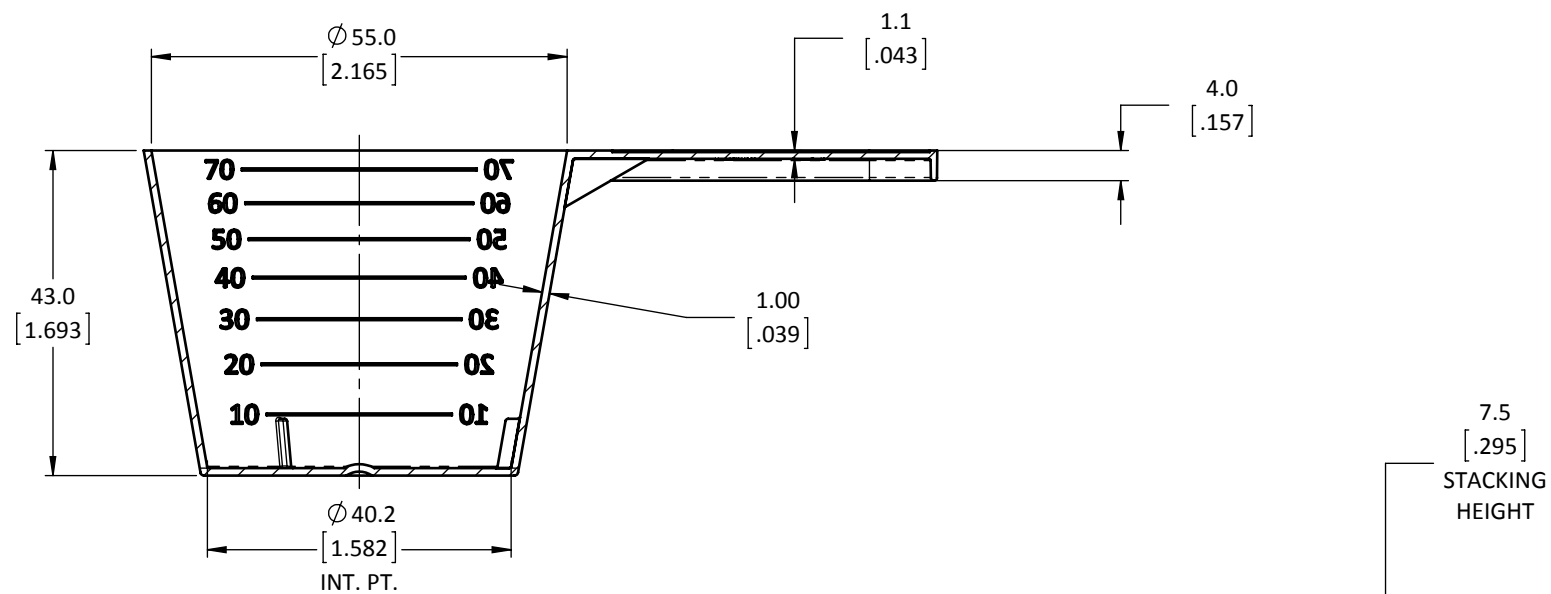


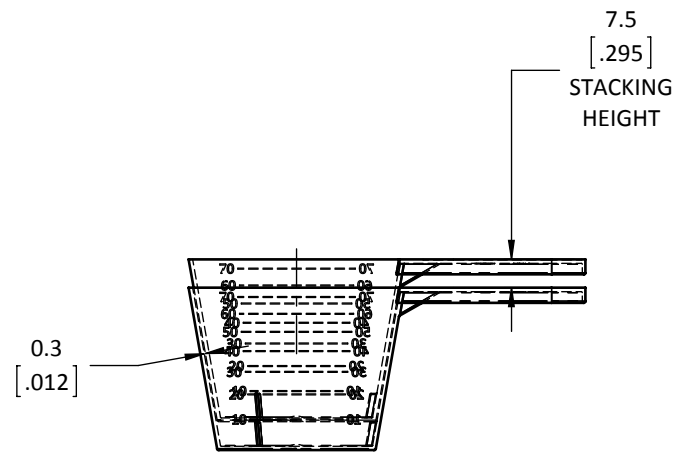
TOP VIEW



ISO VIEW



SECTION A-A



**STACKING VIEW
SCALE 1 : 2**

LAYER PACK ESTIMATES:

2350 scoop/box

Box weight = 18.8 kgs approx.

Box Size (LxWxH): 595x395x395

PRELIMINARY
DO NOT USE FOR MANUFACTURING

DRAWN	SCALE 1:1	ESTIMATED WEIGHT: 8.0 G (APPROX.)		
CHD.	MATERIAL POLYPROPYLENE			
APRD.	DATE 12-NOV-2014	TITLE 70ml SCOOP		
UNLESS SPECIFIED DIMENSIONS ARE IN MILLIMETERS AND [BRACKETED] ARE IN INCHES		Novio Reference: DR01123_1	PART# 70ml Scoop	REV. 3
TOLERANCES: 2 DECIMALS ±0.25 3 DECIMALS ±.010 1 DECIMAL ±0.5 2 DECIMALS ±.02 ANGULAR ±2°				