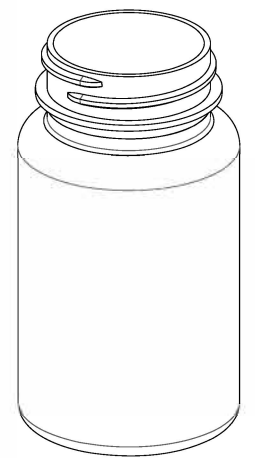
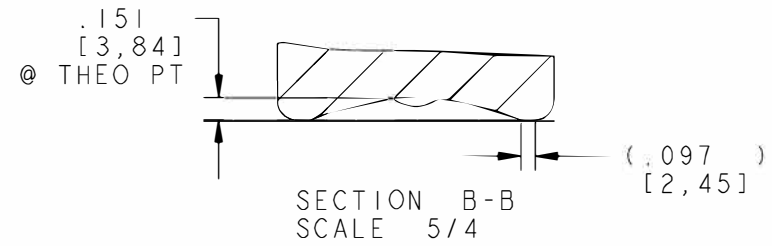
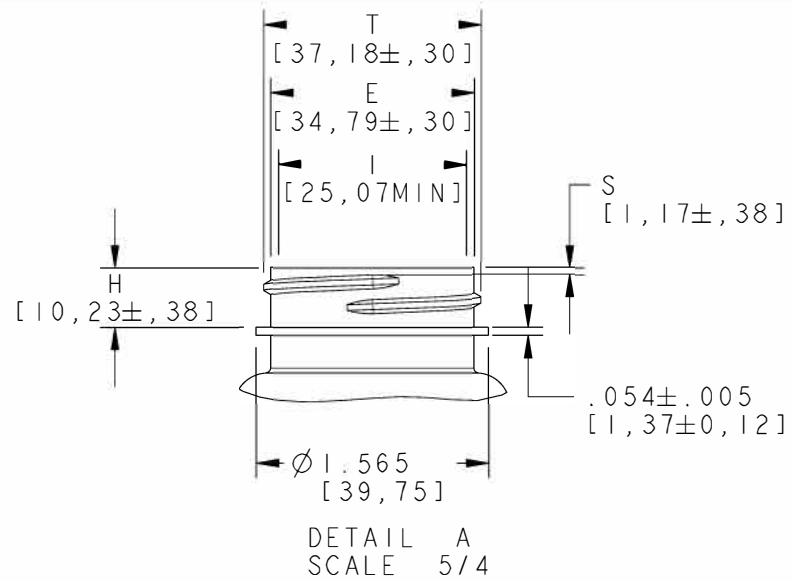
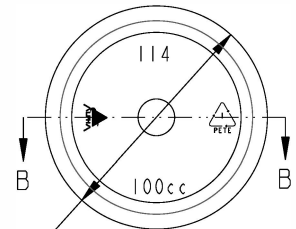


R.125 [3,18]



Neck Finish: L38SP400				Novio reference: D00175_1			
All measurements are in inches, [Metric]	Min Thk	Color	Weight	Std. Pack	Revisions		
	.010 [,25]	All Colors	16 Gms±1	580, Bulk	F Add Metric, 4/27/10, sct		
	.010 [,25]	All Colors Heavy Gram 150 P	21 Gms±1	580, Bulk			
	.010 [,25]	All Colors Heavy Gram 200 P	24 Gms±1	580, Bulk			
Neck Dimensions:				Tolerance: Where not shown			
T = 1.464±.012				Decimal ±0.05 [1,27]			
E = 1.370±.012				Angular ±1°			
H = .403±.015				Material: PET			
I = .987 MIN				100cc, STRAIGHT SIDED, PET, 38-400 CT			
S = .046±.015				100S38PET			
Overflow Capacity: 124 ml ± 5				Approved By: SJ			
				Drawing NO: 100PS1XX38L400			



Scale: 1/1 Drawn By: SCT Date: 07-25-00

DwgRev F