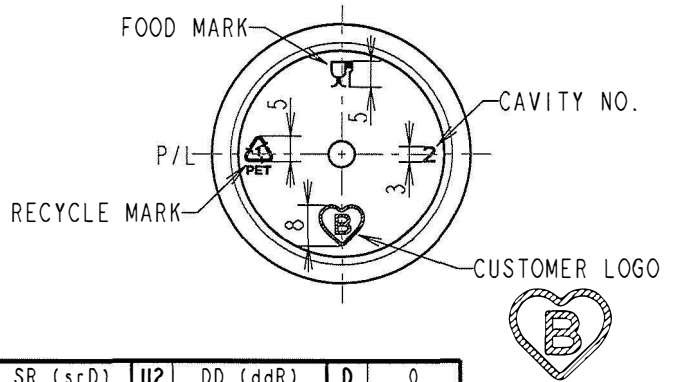


NECK DETAIL
SECTION A-A
SCALE 5.000
1 THREAD, 1 TURN
PITCH 4.23mm
CUTTER Ø 12.7mm

- NOTES
1. OVERFLOW CAPACITY 173 ± 4 ml
 2. FILL POINT CAPACITY 150 ml
 3. WEIGHT 17 ± 1 g
 4. The dimension without tolerance to be based on "ASB TOLERANCES"



U1	SR (srD)	U2	DD (ddR)	D	0
N	4.17 (16)	S	147.8 : 13.1	P	44.4



REV.	DATE	REVISIONS	BY
A3		CUSTOMER	
MODEL	ASB-70DPW v4 SP	O'TY	14
NAME	150mL BOTTLE	DWG. NO	42-2147-00D
REFERENCE NOTE	DR'W	CK'D	APPR.
		MATERIAL	PET
		SCALE	1/1(5/1)